



Fire Protection

Intumescent Fire &
Smoke Seals for
Door Assemblies



Complete Fire Door Protection



Exitex offer a wide range of fully tested intumescent strips, glazing seals and auxiliary products for use in timber fire doors.

Quality you can trust

With vast experience and knowledge of the door industry Exitex fully appreciate the crucial role that fire doors play in restricting the passage of fire and smoke through a building. A correctly installed fire door will not only assist in providing escape routes for building occupants but also protect the building and even more importantly, provide safe entrance for the emergency services.

Understanding the importance of specification we have tested our products with UKAS accredited test houses to BSEN 1634-1, BS 476: Part 22 and BS 476: Part 31.1, giving specifiers and customers confidence when using our products.

With technical knowledge and friendly staff, we are able to deal with most requirements.

Contents

Intumescent Seals	pages 2-4
Exiglaze 30 & 60 minute glazing	pages 5-6
Ironmongery Protection	pages 7-9
Air Transfer Grilles & Faceplates	page 10
Intumescent Aquatex	page 11
Fire Rated Thresholds	page 12
Fire Rated Dropdown Seals	page 13
Intumescent Letterboxes	page 14
Blue 60 / Acoustic Acrylic Sealant	page 15
S/A Surface Mounted Intumescent Strip	page 16
Exifire Intumescent Display Stand	page 17

ISO 9001:2015

Quality Management
System Certified

ISO 27001:2017

Security Management
System Certified

Intumescent Seals

Exitex Intumescent Seals provide a fire and smoke seal for fire rated timber doorsets and are suitable for both single and double doors. Our Seals are Certifire approved and have been Fire Tested to BS 476: Part 22, BS EN 1634-1 and Smoke Tested to BS 476: Part 31.1.

Fire only

Profile Size	10mm x 4mm
Type	Fire Only
Fire Rating	30 mins
Lengths	1.05m, 2.1m & 3m
Colours	White/Brown/Black/Grey/ Cream/Red

Profile Size	20mm x 4mm
Type	Fire Only
Fire Rating	60 mins
Lengths	1.05m, 2.1m & 3m
Colours	White/Brown/Black/Grey/ Cream/Red

Profile Size	15mm x 4mm
Type	Fire Only
Fire Rating	30/60 mins
Lengths	1.05m, 2.1m & 3m
Colours	White/Brown/Black/Grey/ Cream/Red

Profile Size	25mm x 4mm
Type	Fire Only
Fire Rating	90 mins
Lengths	1.05m, 2.1m & 3m
Colours	White/Brown/Black/Grey/ Cream/Red



Fire & Smoke Seal

Profile Size	10mm x 4mm
Type	Fire & Smoke
Fire Rating	30 mins
Lengths	1.05m, 2.1m & 3m
Colours	White/Brown/Black/Grey/ Cream/Red

Profile Size	20mm x 4mm
Type	Fire & Smoke
Fire Rating	60 mins
Lengths	1.05m, 2.1m & 3m
Colours	White/Brown/Black/Grey/ Cream/Red

Profile Size	15mm x 4mm
Type	Fire & Smoke
Fire Rating	30/60 mins
Lengths	1.05m, 2.1m & 3m
Colours	White/Brown/Black/Grey/ Cream/Red

Profile Size	25mm x 4mm
Type	Fire & Smoke
Fire Rating	90 mins
Lengths	1.05m, 2.1m & 3m
Colours	White/Brown/Black/Grey/ Cream/Red



Exiblade

Exiblade Single and Twin Flipper Seals provide a fire, smoke and acoustic seal for fire rated timber doorsets and are suitable for both single and double doors. Our seals are Certifiere approved and have been Fire Tested to BS 476: Part 22, BS EN 1634-1, Smoke Tested to BS 476: Part 31.1 and Acoustically Tested to up to 44dB to BS EN ISO 10140-2: 2010.

Exiblade Single Flipper

Profile Size	10mm x 4mm
Type	Fire & Smoke
Fire Rating	30 mins
Lengths	1.05m, 2.1m & 3m
Colours	White/Brown/Black/Grey/ Cream/Red

Profile Size	20mm x 4mm
Type	Fire & Smoke
Fire Rating	60 mins
Lengths	1.05m, 2.1m & 3m
Colours	White/Brown/Black/Grey/ Cream/Red

Profile Size	15mm x 4mm
Type	Fire & Smoke
Fire Rating	30/60 mins
Lengths	1.05m, 2.1m & 3m
Colours	White/Brown/Black/Grey/ Cream/Red

Profile Size	25mm x 4mm
Type	Fire & Smoke
Fire Rating	90 mins
Lengths	1.05m, 2.1m & 3m
Colours	White/Brown/Black/Grey/ Cream/Red



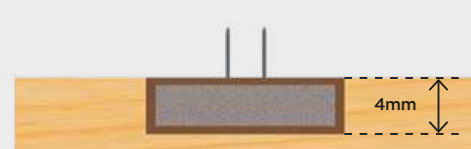
Exiblade Twin Flipper

Profile Size	10mm x 4mm
Type	Fire & Smoke
Fire Rating	30 mins
Lengths	1.05m, 2.1m & 3m
Colours	White/Brown/Black/Grey/ Cream/Red

Profile Size	20mm x 4mm
Type	Fire & Smoke
Fire Rating	60 mins
Lengths	1.05m, 2.1m & 3m
Colours	White/Brown/Black/Grey/ Cream/Red

Profile Size	15mm x 4mm
Type	Fire & Smoke
Fire Rating	30/60 mins
Lengths	1.05m, 2.1m & 3m
Colours	White/Brown/Black/Grey/ Cream/Red

Profile Size	25mm x 4mm
Type	Fire & Smoke
Fire Rating	90 mins
Lengths	1.05m, 2.1m & 3m
Colours	White/Brown/Black/Grey/ Cream/Red



Flexible Intumescent

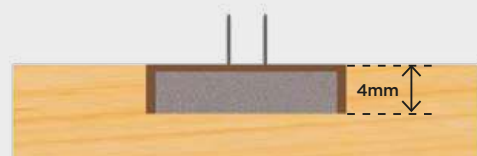
Exifire Flexible Intumescent provides fire and smoke seal for fire rated timber, composite and metal door sets. This product has been specially developed to react at lower temperatures protecting the doorset at the most critical stage. Our seals can be rebate or surface mounted and are ideal for factory fitting. Supplied in both strip and coils to minimise wastage. Exifire Flexible Intumescent has been tested to BS 476: Part 22 1987 and EN 1634-1.

Flexible Intumescent - Fire Only



Product Ref	Profile Size	Fire Rating	Length	Colours
1.31.0982.0025	10mm x 4mm	30 mins	25m	Black/White/Brown
1.31.0984.0025	15mm x 4mm	30/60 mins	25m	Black/White/Brown
1.31.0989.0025	20mm x 4mm	60 mins	25m	Black/White/Brown
1.31.0995.0025	25mm x 4mm	60 mins	25m	Black/White/Brown

Flexible Intumescent Twin Flipper – Fire & Smoke



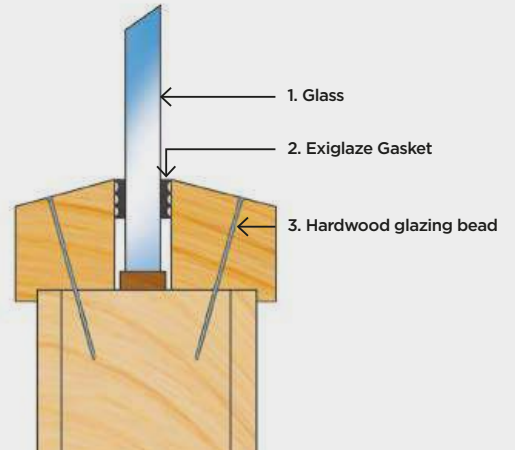
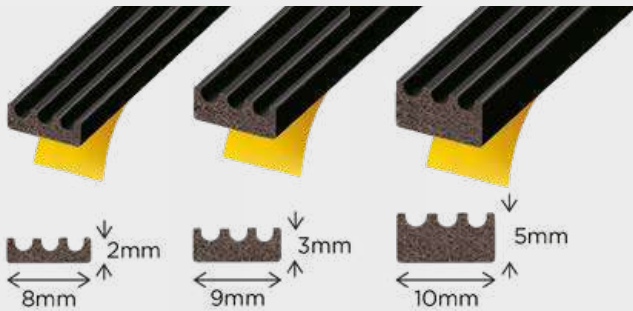
Product Ref	Profile Size	Fire Rating	Length	Colours
1.31.0990.2100	10mm x 4mm	30 mins	2.1m	Black/White/Brown
1.31.0991.2100	15mm x 4mm	30/60 mins	2.1m	Black/White/Brown
1.31.0992.2100	20mm x 4mm	60 mins	2.1m	Black/White/Brown
1.31.0993.2100	25mm x 4mm	60 mins	2.1m	Black/White/Brown

30 Minute Glazing

Exiglaze 30 gaskets have been specifically designed for use in glazed apertures in fire resisting timber doors. They have been fire tested to BS 476: part 22 for 30 minutes with the following glass types: Pyroguard EW 30, Pyrobelite 7, Pyrodur 30-104, Pyrodur 30-105, Pyrodur 60-10, Pyroguard EW MAXI, Pyranova 15-S2.0, Pyrobelite 12, Pyrodur 60-20, Pyroguard EI 30, Pyrostop 30-10, Pyrobel 16

Exiglaze 30 Self Adhesive

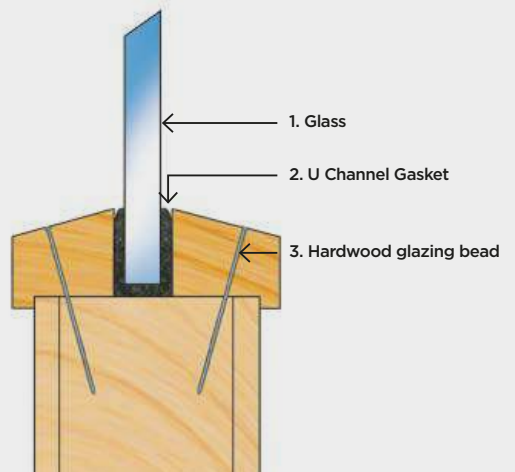
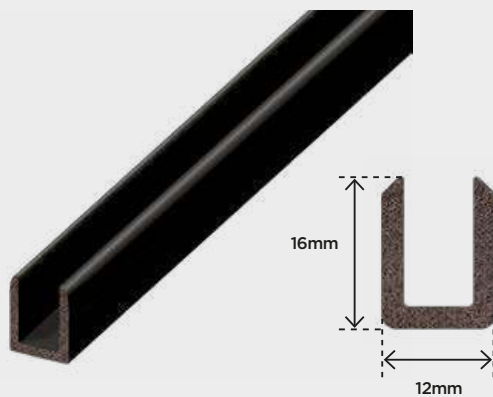
A specially formulated compressible gasket that has the ability to accommodate variances between door and glass thicknesses.



Product Ref	Profile Size	Fire Rating	Length	Colours
1.31.0950.0200	2mm x 8mm	30 mins	200m	Black/White
1.31.0955.0150	3mm x 9mm	30 mins	150m	Black/White/Brown
1.31.0960.0100	5mm x 10mm	30 mins	100m	Black

Exiglaze 30 U Channel

A graphite based U Channel gasket to suit 6/7mm glass.



Product Ref	Profile Size	Fire Rating	Length	Colours
1.31.0880.0100.00	12mm x 16mm	30 mins	100m	Black

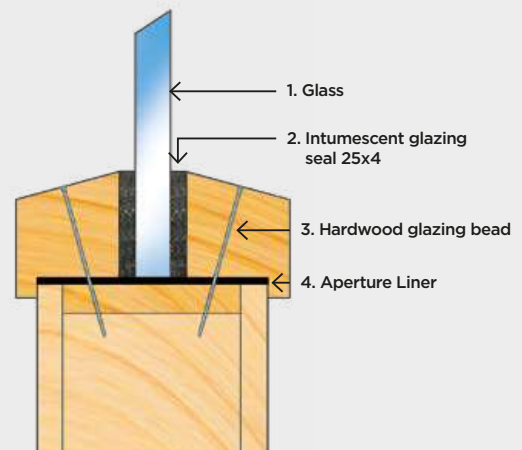
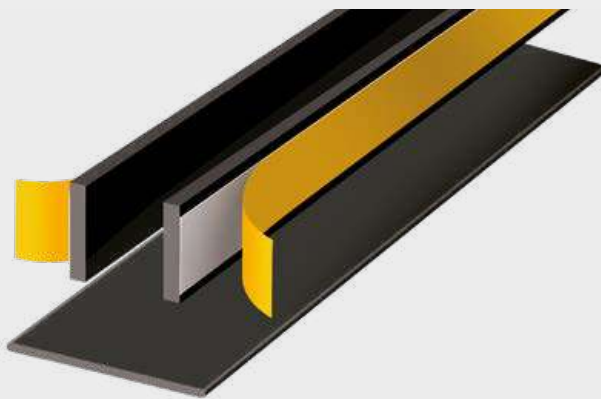
60 Minute Glazing

Exiglaze 60 and Exiglaze 60 F1 are 3 part glazing solutions for glazed apertures within timber fire doors. Fire Tested to BS 476: Part 22 for 60 minutes.

These systems have been designed to overcome the problems in 60 minute applications using non-insulated glass which results in high temperatures and therefore erosion of the door and bead during fire testing.

Exiglaze 60 F1 incorporates two integral glazing fins to accommodate tolerance variations in both glass and door cores, whilst maintaining sufficient compression of the glass and maintaining a low visual sightline.

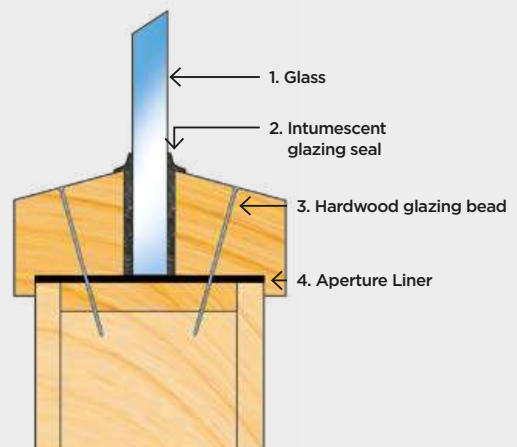
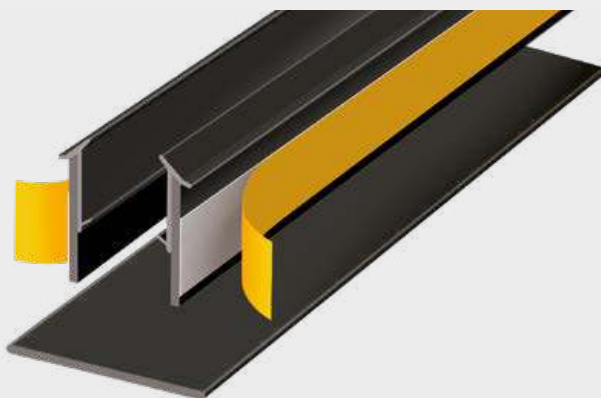
Exiglaze 60



Product Ref	Fire Rating	Length	Colours
1.31.0860.2100	60 mins	2.1m	Black/White/Brown

Consisting of 1 number Intumescent Aperture Liner 1mm x 53mm and 2 number 25mm x 4mm moderate expansion Intumescent Glazing Seals.

Exiglaze 60 F1



Product Ref	Fire Rating	Length	Colours
1.31.0850.2100.00	60 mins	2.1m	Black

Consisting of 1 number Intumescent Aperture Liner 1mm x 53mm and 2 number 25mm x 4mm moderate expansion Intumescent Glazing Seals.

Exifire Ironmongery Protection

Exifire Hinge and Tubular Latch protection is manufactured from a high performance 1mm flexible Intumescent Sheet. Fire Tested to BS 476: Part 22 for both 30 & 60 minute applications. Exifire Hinge and Tubular Latch protection protects ironmongery installed on fire doors without compromising the integrity of the fire door assembly. Bespoke kits can be manufactured to suit most ironmongery.

Hinge Protection

Product Ref	Description
1.31.0805.0000.00	Exifire Square Corner Hinge Pad 75mm x 25mm
1.31.0801.0031.00	Exifire Square Corner Hinge Pad 100mm x 31mm
1.31.0802.0036.00	Exifire Square Corner Hinge Pad 100mm x 36mm
1.31.0803.0040.00	Exifire Square Corner Hinge Pad 100mm x 40mm
1.31.0809.0000.00	Exifire Square Corner S/A Hinge Pad 75mm x 25mm
1.31.0827.0031.00	Exifire Square Corner S/A Hinge Pad 100mm x 31mm
1.31.0806.0036.00	Exifire Square Corner S/A Hinge Pad 100mm x 36mm
1.31.0807.0040.00	Exifire Square Corner S/A Hinge Pad 100mm x 40mm

Product Ref	Description
1.31.0800.0031.00	Exifire Radius Corner Hinge Pad 100mm x 31mm
1.31.0829.0000.00	Exifire Radius Corner S/A Hinge Pad 100mm x 25mm
1.31.0826.0031.00	Exifire Radius Corner S/A Hinge Pad 100mm x 31mm

Product Ref	Description
1.31.0804.0000.00	Exifire R & T H105 Lift Off Hinge Pad 97mm x 29mm
1.31.0808.0000.00	Exifire R & T H105 Lift Off S/A Hinge Pad 97mm x 29mm



Tubular Latch Protection

Product Ref	Description
1.31.0824.0024.00	Universal Tubular Latch Kit 64/76mm backset C/W Strike Plate



Lock Protection

Exifire Lock protection is manufactured from a high performance 1mm flexible Intumescent Sheet. Fire Tested to BS 476: Part 22 for both 30 & 60 minute applications. Exifire Lock protection protects ironmongery installed on fire doors without compromising the integrity of the fire door assembly. Bespoke kits can be manufactured to suit most ironmongery.

Lock Kits

Product Ref	Description
1.31.0820.0105.00	Universal BS Sashlock Kit to suit 64/76mm backset C/W Strike Plate

Product Ref	Description
1.31.0822.0165.00	Universal DIN Lock Kit to suit 55/60 backset C/W Strike Plate

Product Ref	Description
1.31.0821.0075.00	Universal BS Deadlock Kit to suit 64/76mm backset C/W Strike Plate
1.31.0825.0080.00	Universal FB1/2 Deadlock Kit to suit 105mm backset C/W Strike Plate



Multilock Kits

Product Ref	Description
1.31.0823.0000.00	Universal SBD Multilock Kit
1.31.0839.0000.00	Winkhaus AV2 Multilock Kit
1.31.0832.0220.00	Fullex CRB 220 Pro Multilock Kit
1.31.0838.0000.00	Yale Lockmaster 45-BS 2 hook Multilock Kit

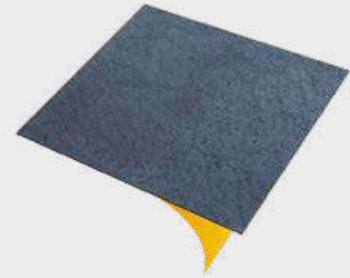


Ironmongery Protection

Exifire Ironmongery protection is manufactured from a high performance 1mm flexible Intumescent Sheet. Fire Tested to BS 476: Part 22 for both 30 & 60 minute applications. Exifire Ironmongery protection protects ironmongery installed on fire doors without compromising the integrity of the fire door assembly. Bespoke kits can be manufactured to suit most ironmongery.

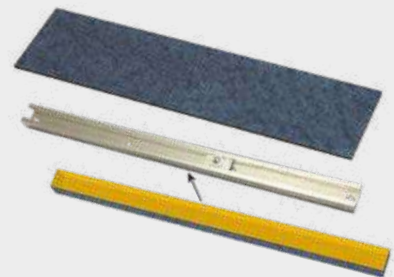
Self Adhesive Intumescent Sheets

Product Ref	Size
1.31.0830.0200.00	200mm x 200mm
1.31.0830.0300.00	300mm x 200mm



Door Closers

Product Ref	Description
1.31.0790.0075.00	Intumescent Universal Door Closer Pad 320 x 75mm
1.31.0780.0000.00	Concealed Door Closer Kit, Self Adhesive
1.31.0781.0000.00	Concealed Slide Arm Kit, Self Adhesive



Universal Flush Bolt Kits

To suit both Square & Radius Ends

Product Ref	Description
1.31.0840.0200.00	Universal Flush Bolt Kit 150/200mm
1.31.0841.0450.00	Universal Flush Bolt Kit 300/450mm
1.31.0842.0900.00	Universal Flush Bolt Kit 600/900mm



Door Viewer

Product Ref	Description
1.31.0920.0014.31	Exifire 14mm Door Viewer (35-55mm)

Our fire resistant door viewer has gone through rigorous testing to DHF TS002:2009 which covers Corrosion Resistance, Security (Angle of Vision), Visual Clarity, Resistance to Misting Up, Ability to Clear After Misting, Length Adjustment Range and Marking.



Fire Rated Intumescent Air Transfer Grilles & Faceplates

Exitex offer a comprehensive range of fire rated Air Transfer Grille systems for use in timber fire doorsets for up to 60 minutes fire resistance.

In normal use the Exitex system is designed to allow air to be circulated throughout the building. In the event of a fire the system will close and provide a fire barrier to restrict the passage of hot gasses.

Tested to BS 476: Part 22 for both 30 & 60 minutes

Air Transfer Grilles

Grilles are of robust construction. The frames are constructed from Mild Steel. Modular construction allowing free airflow.

Easily installed and maintenance free.



Product Ref	Description	Dimensions	Free Air Flow
1.31.0401.0000.31	Intumescent Air Transfer Grille	150mm x 150mm x 40mm	153 sq cms
1.31.0402.0000.31	Intumescent Air Transfer Grille	150mm x 300mm x 40mm	307 sq cms
1.31.0403.0000.31	Intumescent Air Transfer Grille	300mm x 300mm x 40mm	614 sq cms
1.31.0404.0000.31	Intumescent Air Transfer Grille	450mm x 450mm x 40mm	1337 sq cms
1.31.0405.0000.31	Intumescent Air Transfer Grille	600mm x 600mm x 40mm	2448 sq cms

Faceplates

Faceplates are constructed from Mild Steel and powdercoated. Supplied complete with fixing screws.



Product Ref	Description	Dimensions	Free Air Flow
1.31.0421.0000.31	Faceplate to suit 150mm x 150mm	197mm x 200mm	150 sq cms
1.31.0422.0000.31	Faceplate to suit 150mm x 300mm	197mm x 347mm	295 sq cms
1.31.0423.0000.31	Faceplate to suit 300mm x 300mm	340mm x 346mm	593 sq cms
1.31.0424.0000.31	Faceplate to suit 450mm x 450mm	495mm x 495mm	1262 sq cms
1.31.0425.0000.31	Faceplate to suit 600mm x 600mm	645mm x 645mm	2308 sq cms

Intumescent Aquatex

Exitex have developed an Intumescent Aquatex that is suitable for both 30 and 60 minute fire doors, consisting of a polypropylene outer skin and a polyurethane / graphite mix foam core which retains the excellent memory and temperature range of the current Aquatex. The outer skin is unaffected by paint and stain and has excellent UV stability.

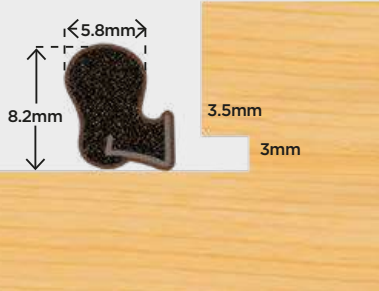
Intumescent Aquatex P9

Product Ref: 1.29.0154

Seals gaps 2.8 - 4.5mm

600m/Box (2 x 300m)

Available in white, brown & black



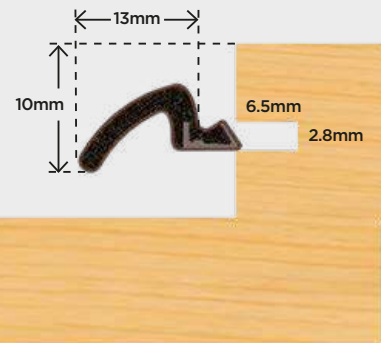
Intumescent Aquatex A13

Product Ref: 1.29.0700

Seals gaps 5.5 - 12mm

350m/Box (2 x 175m)

Available in white, brown & black



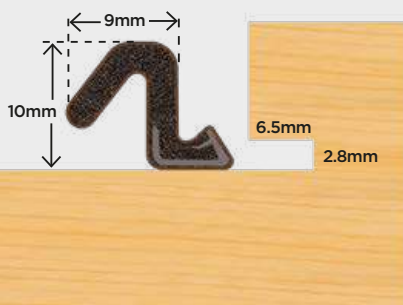
Intumescent Aquatex A10

Product Ref: 1.29.0021

Seals gaps 4.5 - 8mm

500m/Box (2 x 250m)

Available in white, brown & black



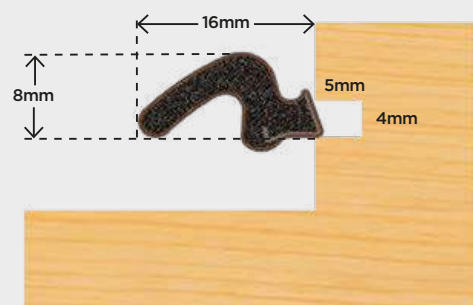
Intumescent Aquatex A4

Product Ref: 1.29.0004

Seals gaps 7 - 10.5mm

400m/Box (2 x 200m)

Available in white, brown & black



Exifire Fire Rated Thresholds

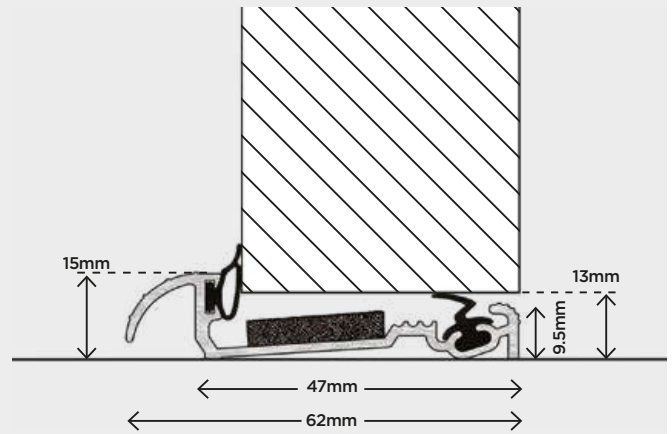
Exifire fire rated thresholds, tested to BS EN 1634 for 30 minutes in both directions.

FD30 MXS 15/2

Product Ref: 1.01.0393

Available in mill, gold & black

In sizes 914mm to 2134mm



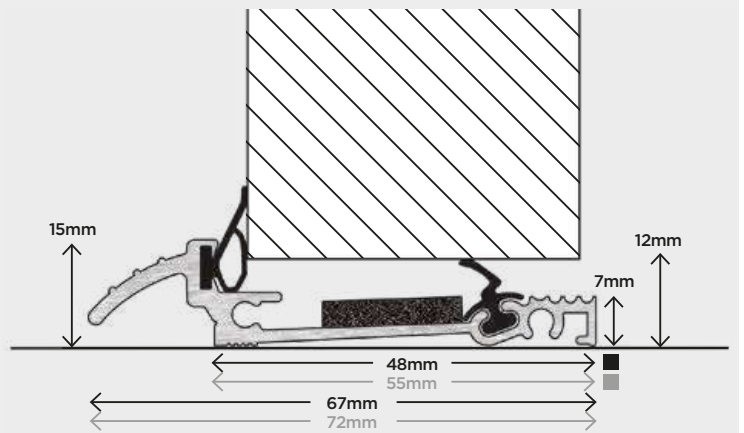
FD30 MXS 15/67 & MXS 15/72

Product Ref: 1.01.0394 - FD 30 MXS 15/67 ■

Product Ref: 1.01.0403 - FD 30 MXS 15/72 ■

Available in bright silver & gold

In sizes 870mm to 2134mm

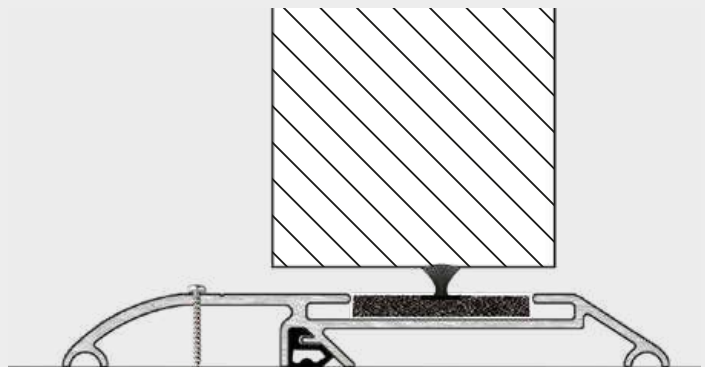


FD30 Threshex

Product Ref: 1.01.0405

Available in mill, gold & black

In sizes 933mm to 2134mm



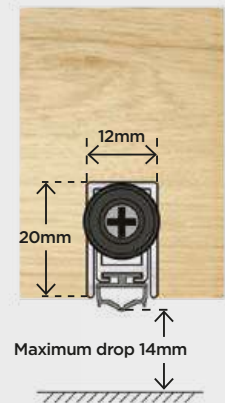
Exifire Fire Rated Dropdown Seals

Exifire Fire Rated Dropdown seals have been Fire Tested for 30 and 60 minutes. Our full range of profiles are available in our Exisound brochure.

Concealex A8100

Product Ref: 1.50.0001

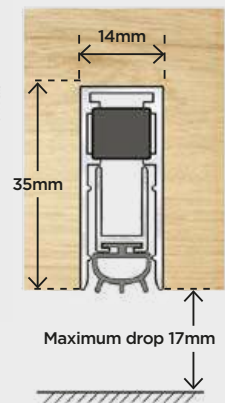
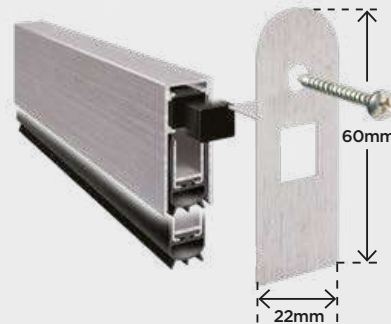
Application	Timber doors, aluminium doors, security doors and PVC doors
Fire Tested	For 30 & 60 minutes to BS EN 1634-1: 2014
Smoke Tested	to BS EN 1634-3: 2001
Acoustic Tested	up to 44DB to BS EN ISO 10140-2: 2010
In sizes	260mm - 1430mm



Concealex A8100 Superior

Product Ref: 1.50.0005

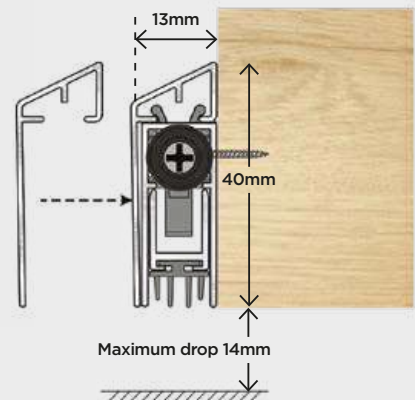
Application	Timber doors and security doors
Fire Tested	For 30 & 60 minutes to BS EN 1634-1: 2014
Smoke Tested	to BS EN 1634-3: 2004
Acoustic Tested	up to 44DB to BS EN ISO 10140-2: 2010
In sizes	330mm - 1430mm



Concealex Facefix Dropseal

Product Ref: 1.50.0010

Application	All types of swing doors
Fire Tested	For 30 & 60 minutes to BS 476: Part 22
Smoke Tested	To BS EN 1634-3: 2001
Acoustic Tested	Up to 43DB to BS EN ISO 10140-2:2010
Available in	SAA
In sizes	730mm - 1030mm



Intumescent Letterboxes

Exitex offer a range of 30 & 60 minute framed telescopic letterboxes with metal flaps, internal draught excluders, external weatherseal and fitted with a high performance Intumescent liner.

These are available in both 10" standard and 12" commercial sizes with a range of finishes.

30 Minute

ABS framed telescopic letter box (black frame). Fire Tested to BS EN 1643-1

Product Ref	Description
1.31.0903.0000.15	Intumescent Letterbox 10" FD30 Polished Gold
1.31.0903.0000.31	Intumescent Letterbox 10" FD30 SAA
1.31.0903.0000.71	Intumescent Letterbox 10" FD30 Polished Silver
1.31.0905.0000.15	Intumescent Letterbox 12" FD30 Polished Gold
1.31.0905.0000.31	Intumescent Letterbox 12" FD30 SAA
1.31.0905.0000.71	Intumescent Letterbox 12" FD30 Polished Silver



60 Minute

Robust commercial framed telescopic letterbox.
Fire Tested to BS 476: Part 22 Fire Rating 30/60 Mins

Product Ref	Description
1.31.0907.0000.15	Intumescent Letterbox 12" FD60 Polished Gold
1.31.0907.0000.31	Intumescent Letterbox 12" FD60 SAA
1.31.0907.0000.71	Intumescent Letterbox 12" FD60 Polished Silver

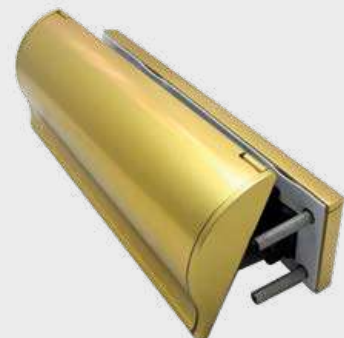


Exifire TS008 Letterbox

The updated door standard PAS24:2016, now requires that a door fitted with a letterbox has to have a letterbox that is tested to and meets the requirements of TS008. As well as covering key fishing, TS008 also covers preventing being able to unlock the door through the letterbox, whilst also allowing postal items to pass freely through it.

Fire Tested to BS 476: Part 22 Fire Rating 30/60 Mins

Product Ref	Description
1.31.0916.0000.15	Exifire TS008 Letterbox 12" FD30 Polished Gold
1.31.0916.0000.31	Exifire TS008 Letterbox 12" FD30 SAA
1.31.0916.0000.71	Exifire TS008 Letterbox 12" FD30 Polished Silver
1.31.0917.0000.15	Exifire TS008 Letterbox 12" FD60 Polished Gold
1.31.0917.0000.31	Exifire TS008 Letterbox 12" FD60 SAA
1.31.0917.0000.71	Exifire TS008 Letterbox 12" FD60 Polished Silver



Blue 60 Fire Foam & Accessories

Blue 60 is a specially formulated expanding foam that achieves up to 60 minute fire protection for timber fire doorsets. 30 & 60 minute fire tested to BS EN 1634-1 & BS 476: Part 22.

Blue 60 Fire Rated Frame Foam

- Tested in full size single & double doorsets
- Tested in both metal and timber stud partitionings
- Tested with softwood, MDF & hardwood frame sections
- Tested with gaps between 7mm & 30mm
- Blue in colour for identification purposes
- 1mm, 3mm & 5mm colour co-ordinated fire rated packers available

Gun Grade Ref: 1.31.0600.0750.01 (750ml)

Hand Held Ref: 1.31.0601.0750.01 (750ml)

Fire Rated Packer
1mm x 15mm x 100mm
Green

Ref: 1.31.0701.0015.20

Fire Rated Packer
3mm x 15mm x 100mm
White

Ref: 1.31.0703.0015.35

Fire Rated Packer
5mm x 15mm x 100mm
Blue

Ref: 1.31.0703.0015.35



Blue 60 Professional Gun Cleaner

Product Ref: 1.31.0605.0000.01 (500ml)

This product has been designed to thoroughly clean mechanised foam gun applicators, to ensure long life and consistent application.



Blue 60 Application Gun

Product Ref: 1.31.0606.0000.01

Heavy duty aluminium bodied PU foam gun with stainless steel nozzle and Teflon coating for easy cleaning. Allows gun grade expanding foam to be applied cleanly and precisely.



Fire Rated Intumescent Acoustic Acrylic Sealant

For sealing linear gap seals and small floor / wall penetrations. Achieved 55 DB RW. Fire tested to BS 476: Part 20 & 22 and tested to BSEN ISO 140/3.

Product Ref: 1.18.0500.0310

Description Fire Rated Intumescent Acoustic Acrylic Sealant 310ml

Colours Brown/White

Fire Rating 240 mins



Self Adhesive Surface Mounted Intumescent Strip

- Tested for 30 minutes to BS 476: Part 22
- Retrofit for speedy installation
- No routing of door or frame
- Suitable for gaps 3mm - 5mm, Colour coded brush.
- Alcohol wipe & fire door stickers enclosed.
- Available in white, brown, grey & oak.

Product Ref: 1.31.0932.5200

Stand Ref: 1.30.0036.0000.00



Width - 25mm
Thickness - 1.8mm
Pile Height - 5mm



Stand holds 24 x Self Adhesive
Surface Mounted Intumescent

Important

The Surface Mounted Intumescent Strip should only be fitted to timber door leaves and framing material that has been successfully tested for a period of 30 minutes in accordance with the criteria of BS 476 Part:22 1987.

The fire door keep shut signage should be fitted to comply with BS 5499-5:2002 in accordance with approved document B Volume 2, appendix B clauses 8 & 9.

Exifire Intumescent Display Stand

The Exifire Intumescent Display Stand & Stock has been specifically developed for builder's merchants and Architectural Ironmongers showrooms.

The Intumescent products contained within the stand are attractively packed for retail sale and the contents of the stand cater for both FD30 and FD60 requirements with full testing on all products.

Stand Ref: 1.30.0035.0000.00



Stock Profile

24 x S/A Surface Mounted Intumescent with Pile

12 x Retail Universal Sashlock Kit

12 x Retail Universal DIN Lock Kit

12 x Retail Universal Deadlock Kit

24 x Retail Pack of 6 Exifire Square S/A Hinge Pads

10 x Retail Concealex Facefix Dropseal 930mm

12 x Blue 60 Fire Foam

12 x Fire Rated Intumescent Acrylic Sealant

24 x Intumescent Door Pack Fire Only 10 x 4

24 x Intumescent Door Pack Fire & Smoke 10 x 4

24 x Intumescent Door Pack Fire Only 15 x 4

24 x Intumescent Door Pack Fire & Smoke 15 x 4

*(each Intumescent Door Pack contains
2 x 2.1m & 1 x 1.05m)*

Brochure Range

- _ Acoustic Seals Range
- _ Capex & Cresfinex
- _ Joinery Seals & Glazing
- _ Weatherbars, Door Surrounds & DIY Products

Exitex Limited

Dundalk, Ireland,
A91 HK29

+353 42 937 1244

info@exitex.com

exitex.com

exitexTM